

Structural Design

Prepared by – Akshay Jain, Naval Architect
Rakesh Roy, Naval Architect

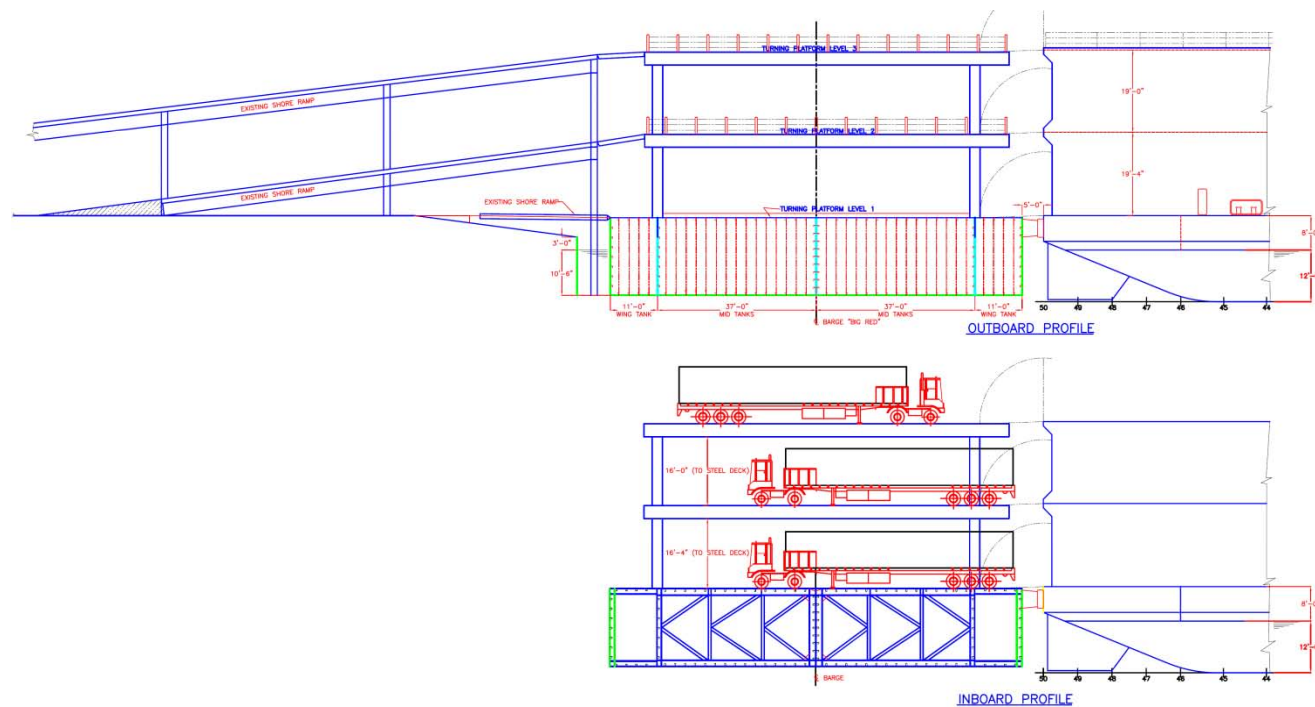
VEDAM DESIGN & TECHNICAL CONSULTANCY PVT. LTD.

B - 902, Sagar Tech Plaza,
Sakinaka, Andheri (E),
Mumbai-72, INDIA

Phone: +91-22-67709192
E-mail: vedam@vedamindia.com
Web: www.vedamindia.com

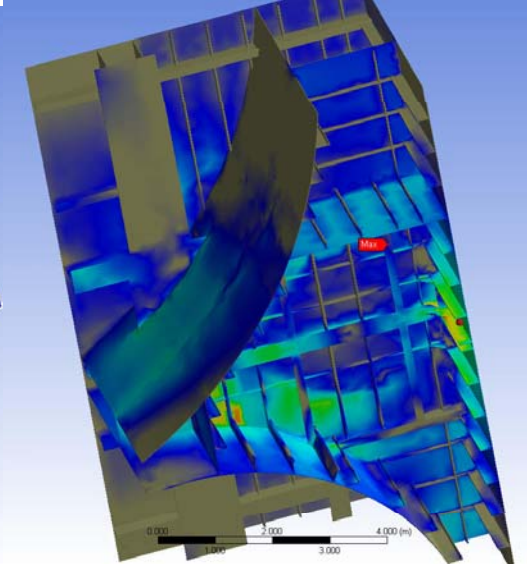
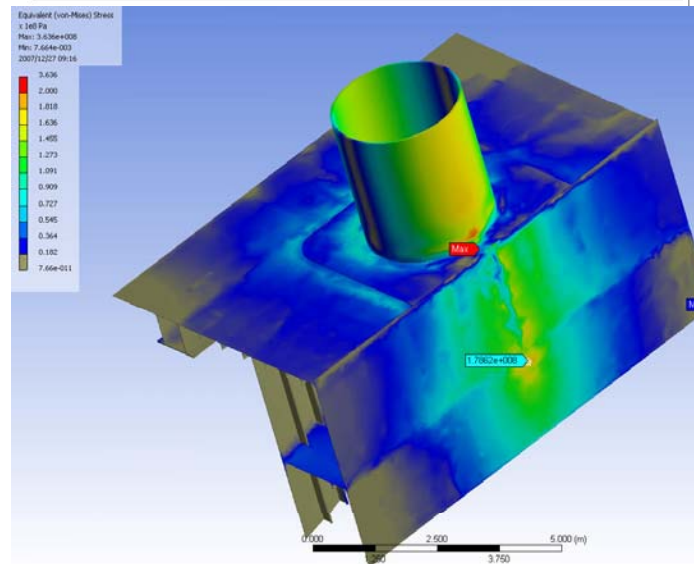
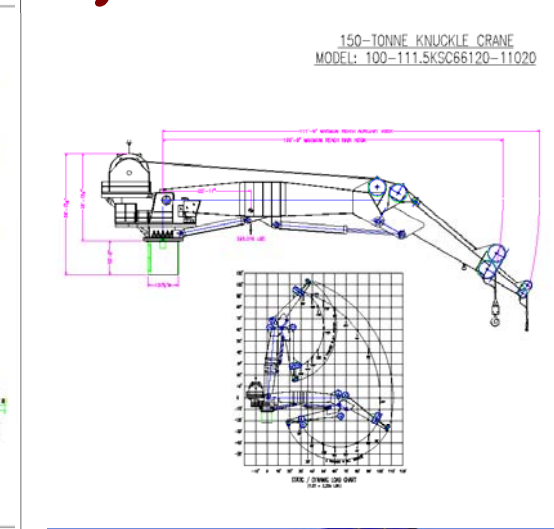
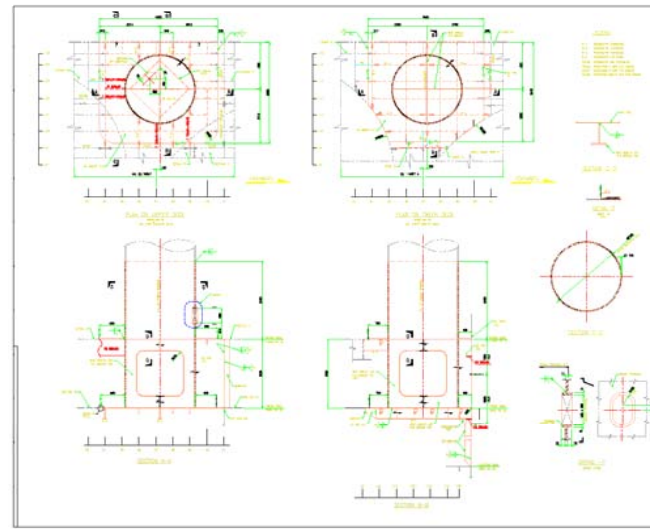
Deck Barge to 3-Level Ramp Conversion

- 101' Deck Barge converted to a 3-Level Ramp to transfer trucks from Ro-Ro to shore (ABS Rules for Steel Barge 2003)



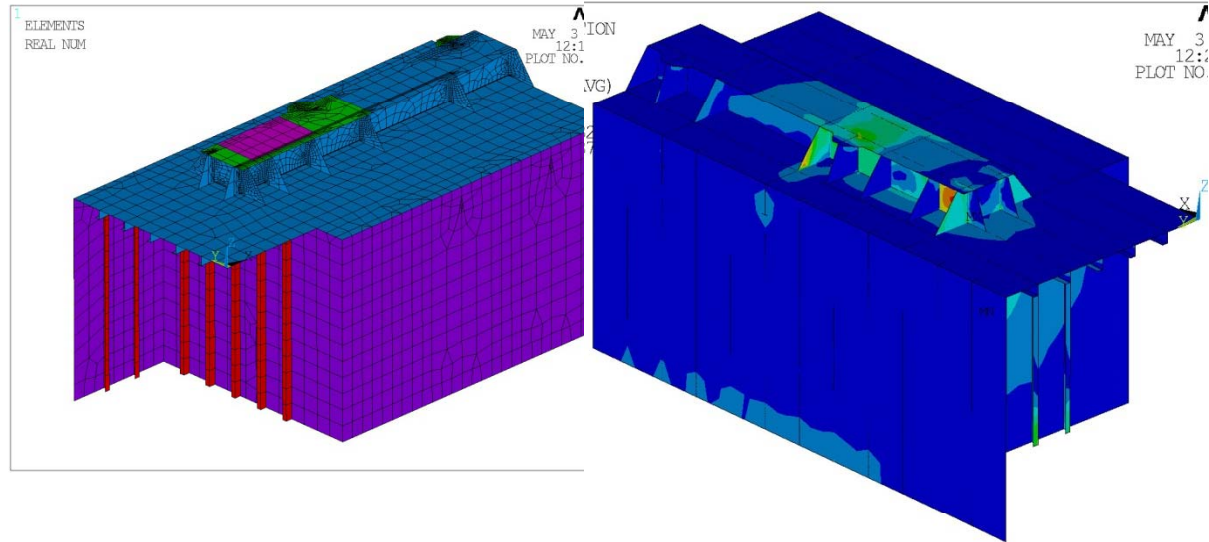
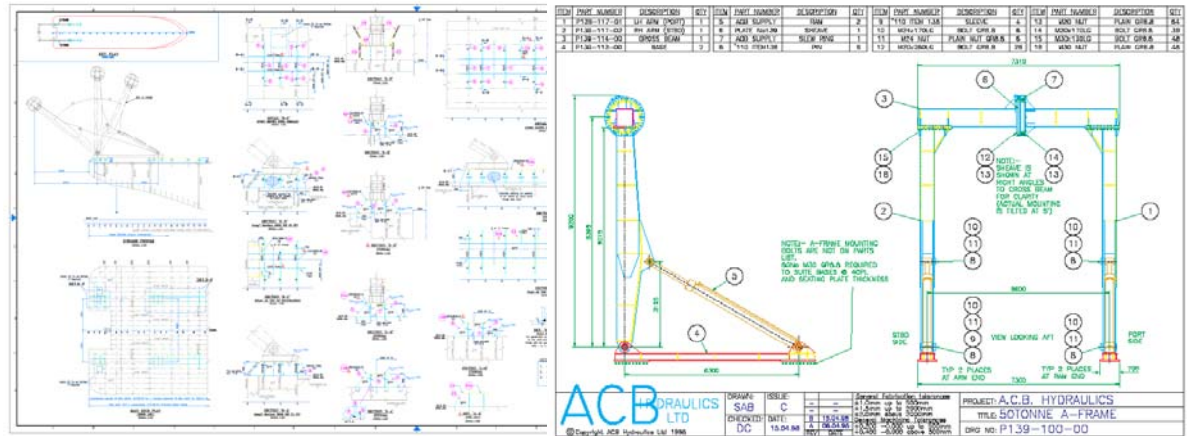
150T Knuckle Crane FE Analysis

- FEM Analysis of crane pedestal structure
- Check the structure as per DNV Offshore codes
- Suggest modification in the design as per result



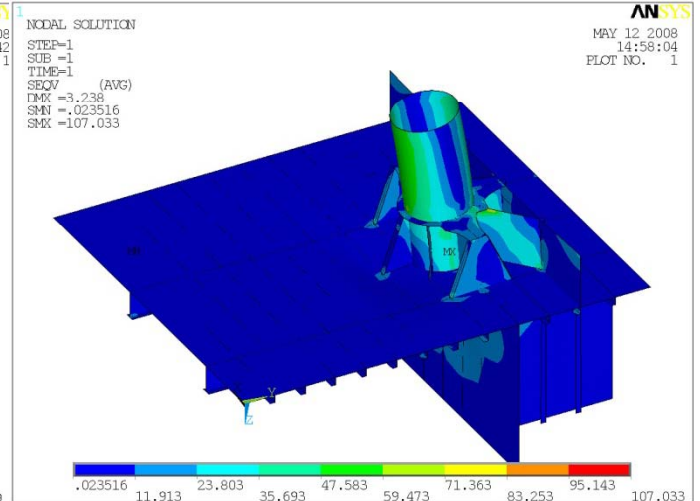
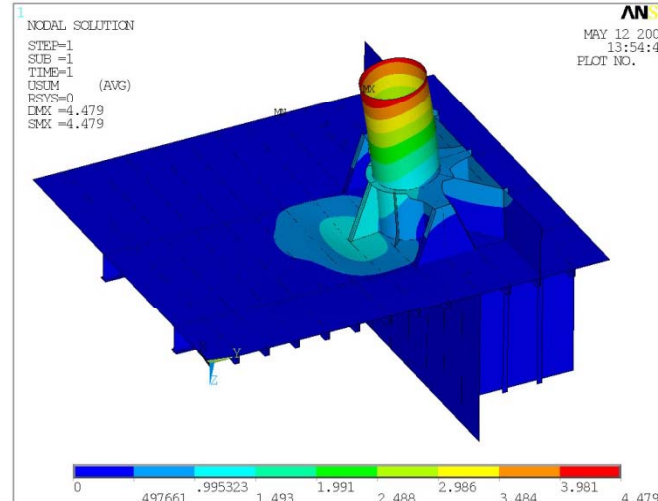
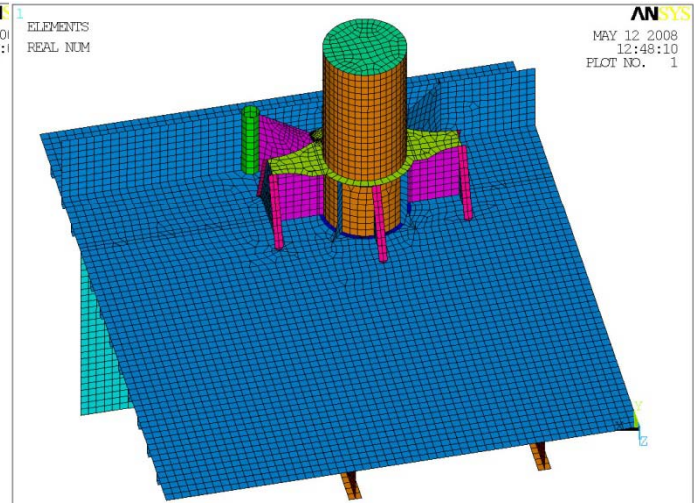
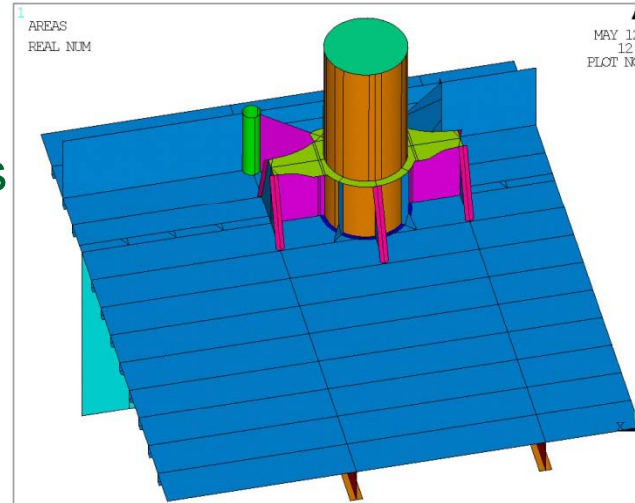
50T A-Frame FE Analysis and Structural Optimization

- FEM Analysis of A-frame foundation in ANSYS V11 as per ABS Rule
- Eigen value non-linear buckling analysis in ANSYS
- Optimizing the structure for minimum steel weight



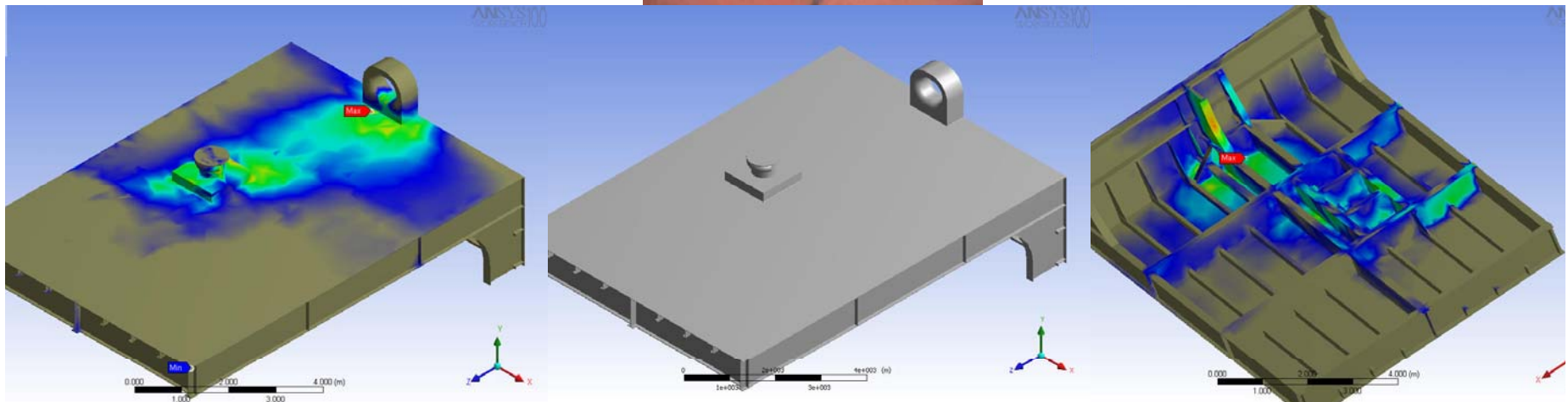
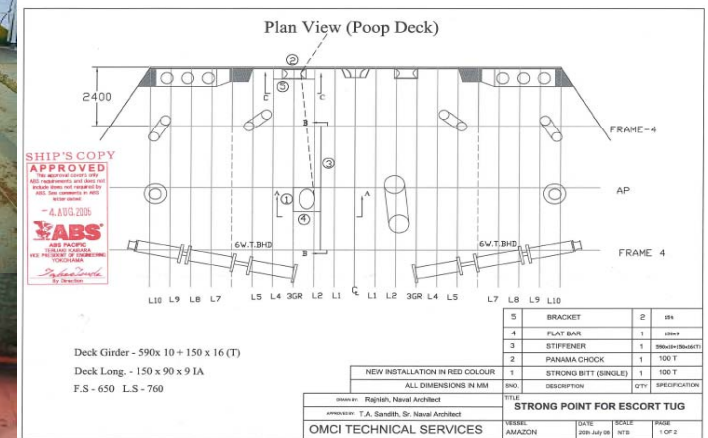
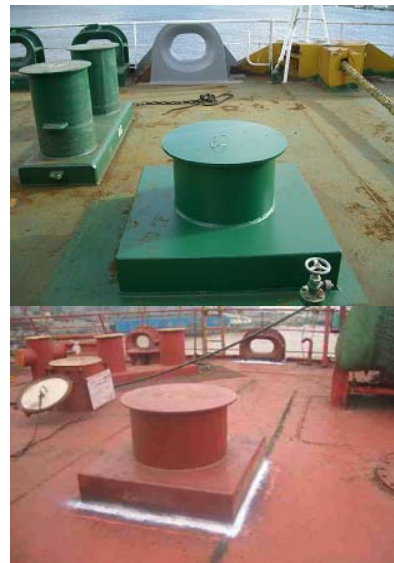
18T Telescopic Crane FE Analysis

- FEM Analysis of Crane foundation in ANSYS V11 as per ABS Lifting Appliance Rule



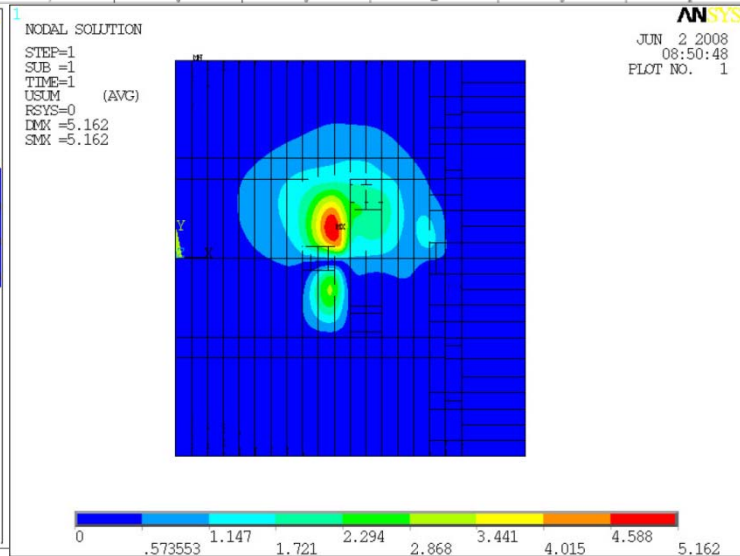
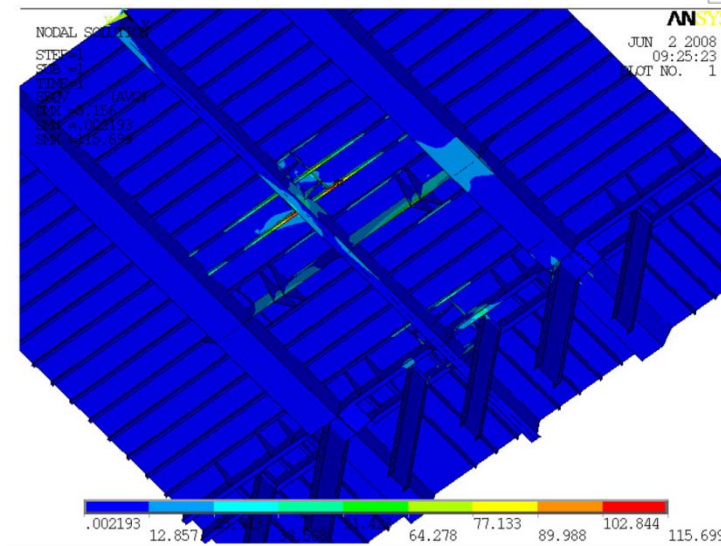
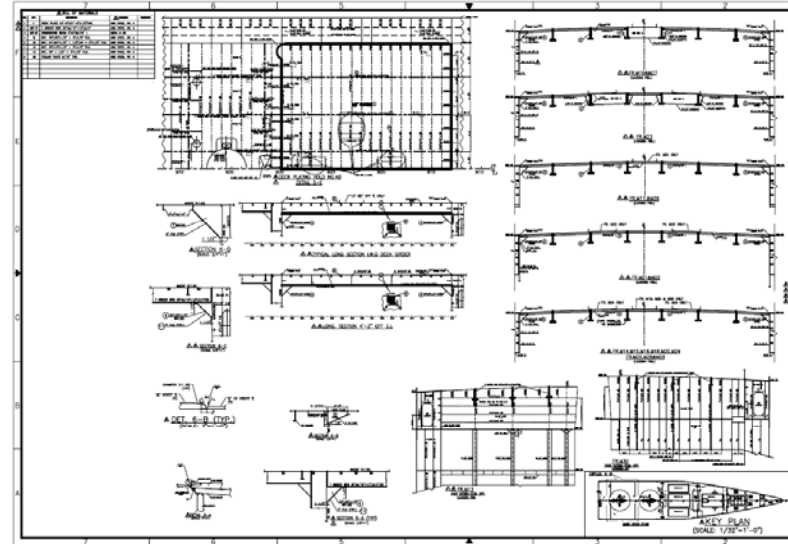
Strong Point for Escort Arrangement

- Designed strong point for 12 ships to be equipped with escort tug arrangement
- Verified the design with FE Analysis
- Installed the strong point during vessel dry-docking



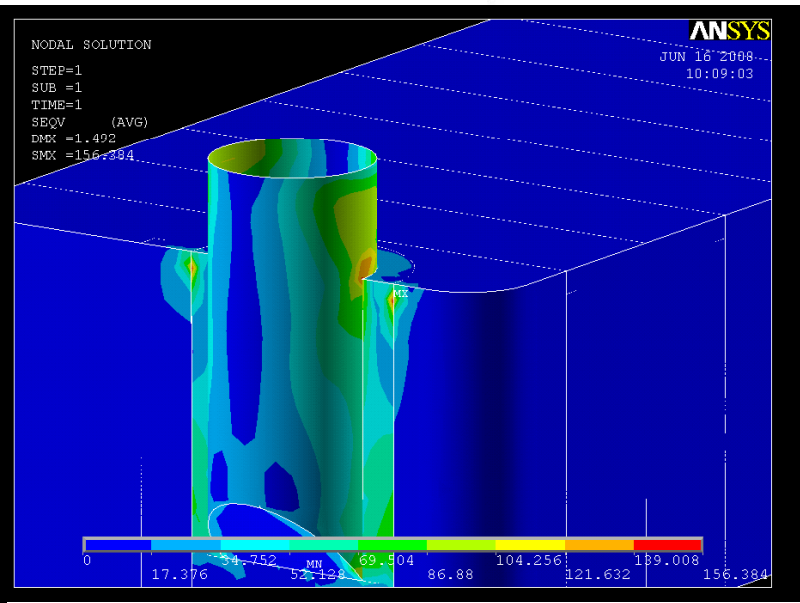
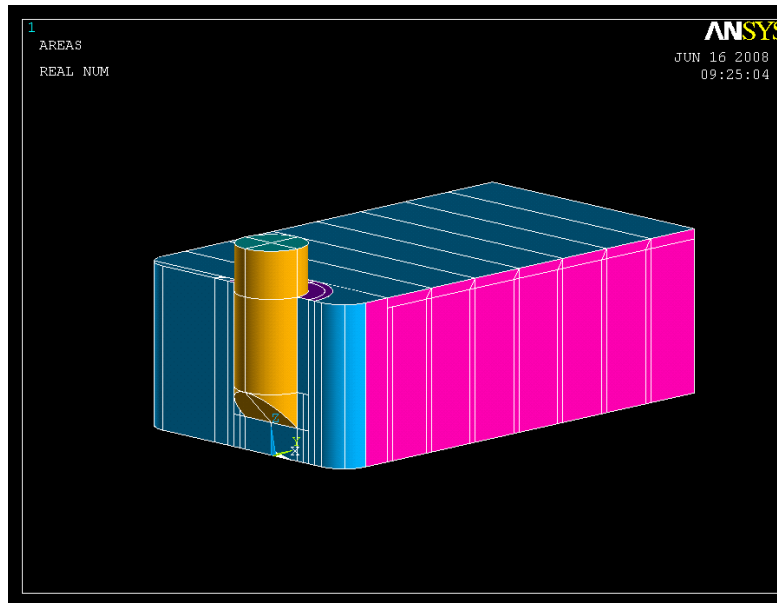
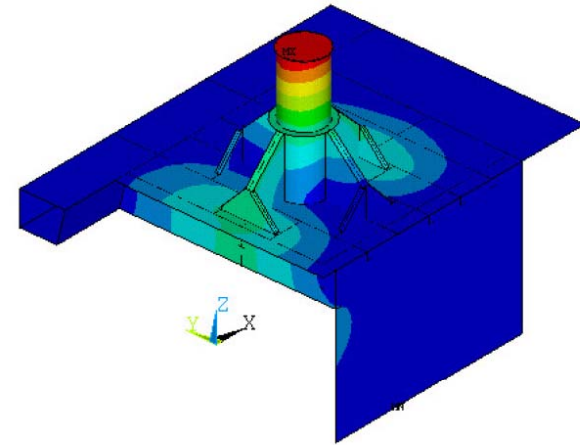
Deck Insert Design

- Remove hatch cover of container carrier and insert a strength deck
- Scantling calculation as per ABS Rules for Steel Vessel 2008



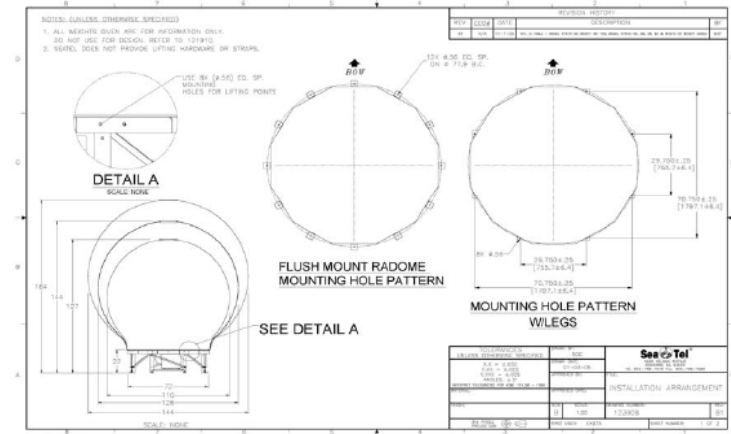
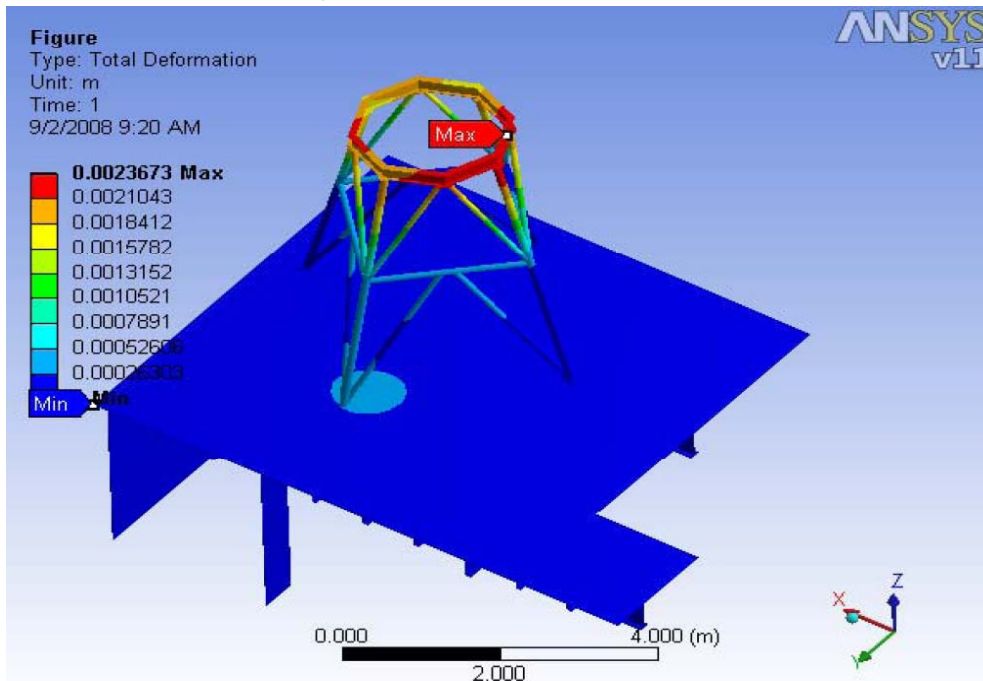
Four 5T Store Crane Foundation design

- Foundation design and FE analysis of 4 Store Cranes in ANSYS V11 as per ABS Lifting Appliance Rule

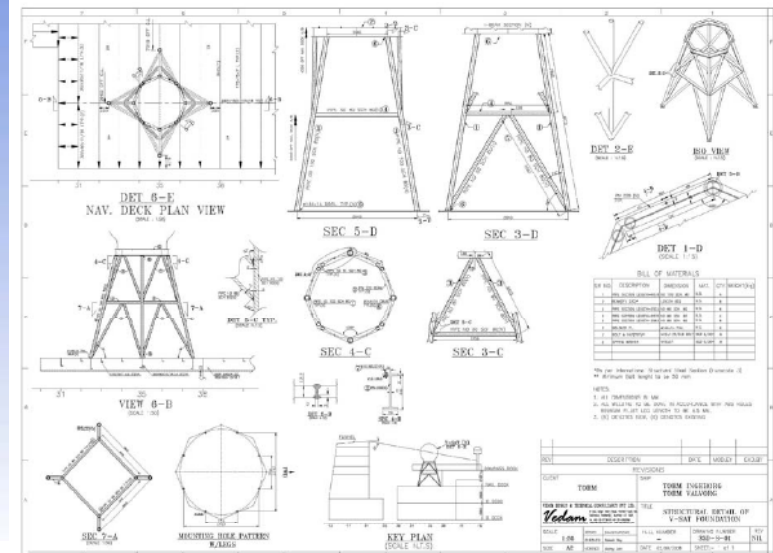


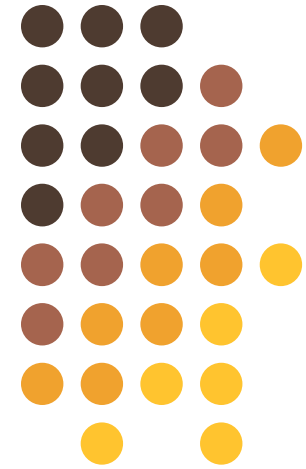
V-SAT Foundation Design

- V-SAT antenna foundation design for existing ship



Maker's Drawing (Antenna Manual)





Vedam
DESIGN & TECHNOLOGY CENTER

VEDAM DESIGN & TECHNICAL CONSULTANCY PVT. LTD.

Marine Consulting | Basic Design | Production Design | Conversion Design | New Building & Repair Supervision |
Stability Analysis | Structural FEM Analysis | Mooring Analysis | Shipboard Manuals | Inclining Experiment |

